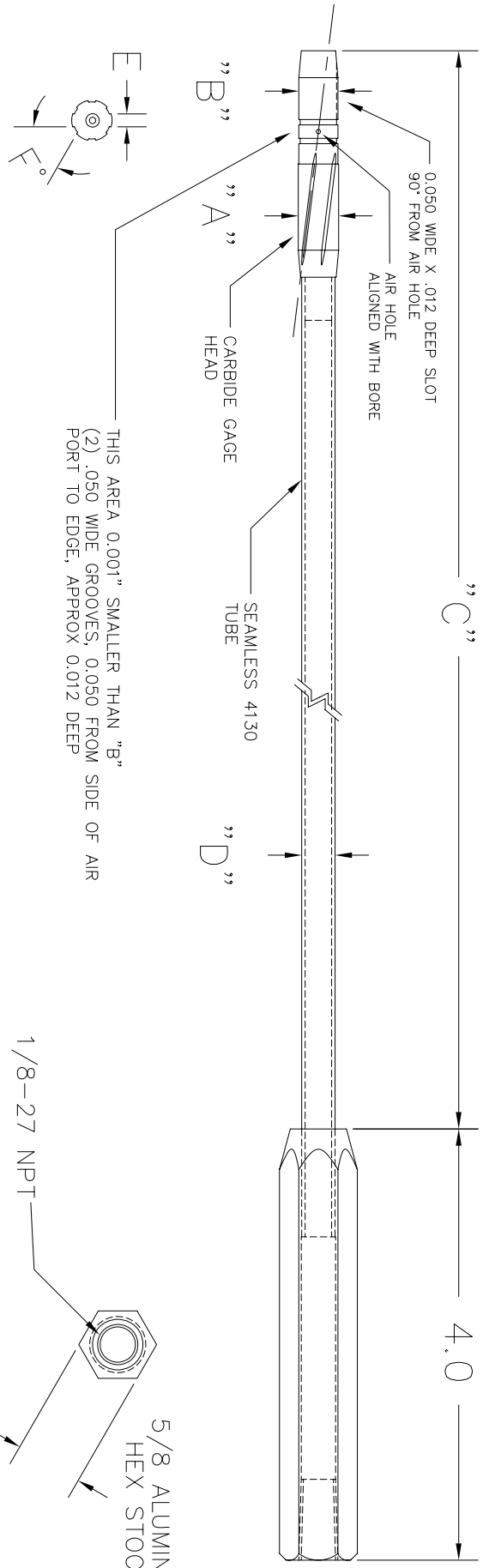


REV.	LTR.	DATE	CHK	BY	DESCRIPTION OF REVISION



- ” A ” _____
- ” B ” _____
- ” C ” _____
- ” D ” _____
- ” E ” _____
- ” F ” _____

NO. OF GROOVES _____

TWIST: 1 TURN IN _____

<p>THIS IS A PROPRIETARY DESIGN OF ELDORADO. REPRODUCTION, MANUFACTURE OR USE OF ANY ASSEMBLY, SUBASSEMBLY, OR PART INDICATED HEREIN OR THE USE OF THE DESIGN OF ANY SUCH ASSEMBLY, SUBASSEMBLY, OR PART IS PERMISSIBLE ONLY IF EXPRESSLY AUTHORIZED IN WRITING BY ELDORADO.</p>					
<p>DO NOT SCALE DRAWING INCH DIMENSIONS ARE PRIMARY UNLESS OTHERWISE SPECIFIED</p>					
<p>DRILL MASTERS-ELDORADO TOOL 336 BOSTON POST RD. MILFORD, CONNECTICUT U.S.A.</p>					
<p>INCH TOLERANCES</p> <p>1 PLACE ± .03</p> <p>2 PLACES ± .015</p> <p>3 PLACES ± .005</p> <p>ANGLES ± 1 deg.</p> <p>NON-ACCUMULATIVE</p>		<p>DESIGNER S. RUEL</p> <p>DATE 03/17/09</p>		<p>TITLE BORE AIR GAGE PROBE</p>	
<p>METRIC TOLERANCES(mm)</p> <p>WHOLE NO. ± .8</p> <p>1 PLACE ± .4</p> <p>2 PLACES ± .13</p> <p>ANGLES ± 1 deg.</p>		<p>CHECKER _____</p> <p>RELEASED _____</p> <p>SUPERSEDES _____</p>		<p>REF. X</p>	
<p>SCALE X</p>		<p>SH. X OF X</p>		<p>DWG. NO. BORE_GAGE.DWG</p>	
<p>REV. X</p>		<p>1/8-27 NPT</p> <p>5/8 ALUMINUM HEX STOCK</p>			